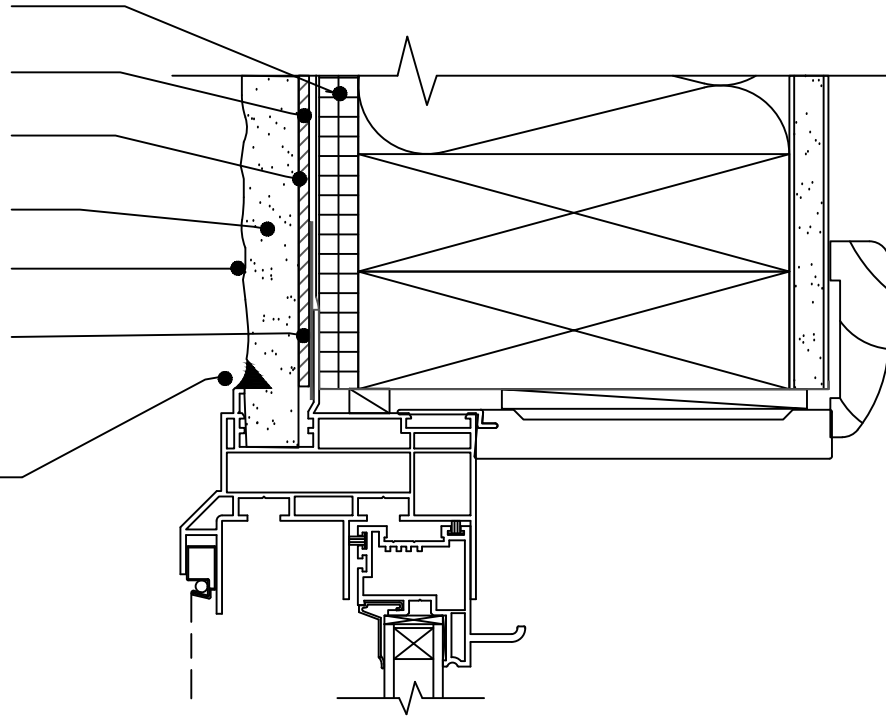


JAMB, SILL AND HEAD DETAIL

- APPROVED SHEATHING
- APPROVED HOUSEWRAP
- STRUCTALATH TWIN TRACK 2.5
- 3/4" CEMENT PLASTER
- 12 MIL (min) DRYLOK EXTREME
- APPROVED FLASHING TAPE
- "V" SEALANT SOCKET WITH TOOLED APPROVED SEALANT



SCS 06_01 WINDOW FIN INTERFACE WITH INTEGRAL EXTRUDED RECEIVER

Note:
 Details to be used in conjunction with all applicable provisions contained in the Sealed Cladding System Design Manual.

Sealed Cladding System

07/01/2020

SCS 06_01